

# In Illustrator, open Layers pallet to view and choose template option

- ✓ Art Check List
- Links included (not embedded)
  - Critical Art 3% inside Cut Line
  - Type converted to Outlines
  - Raster Art Resolution 75 DPI at full scale
  - Layers included (Photoshop files)
  - Smooth Gradients
  - Avoid Global Effects, Transparencies & Symbols

Dimension  
Order # **09-XXXXX**

Part #:  
Line # **XXXXXX**

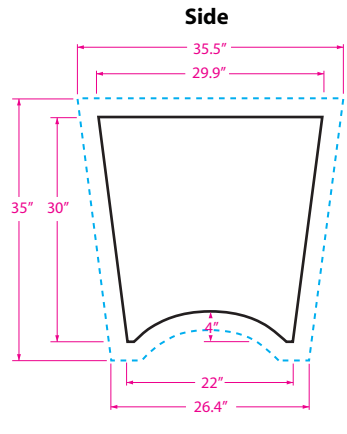
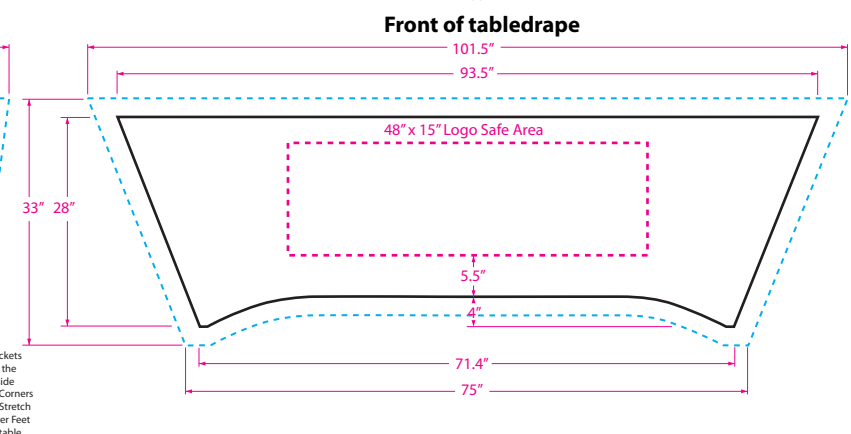
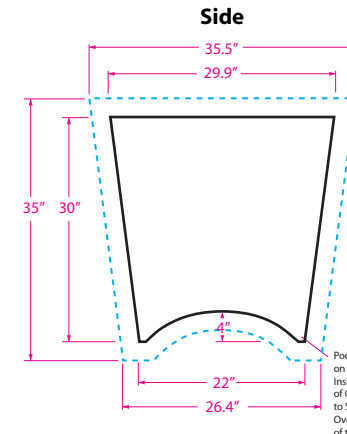
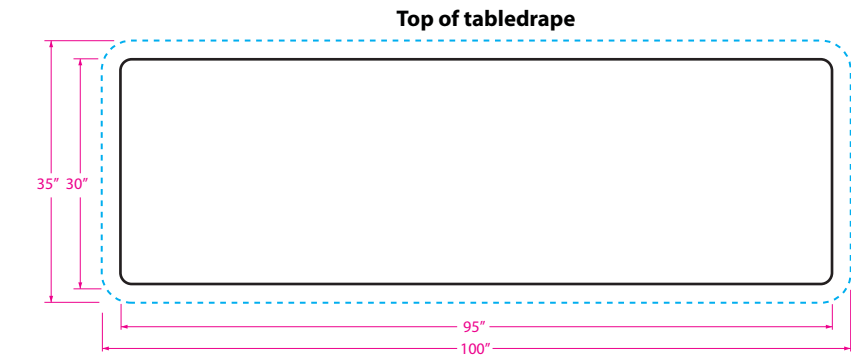
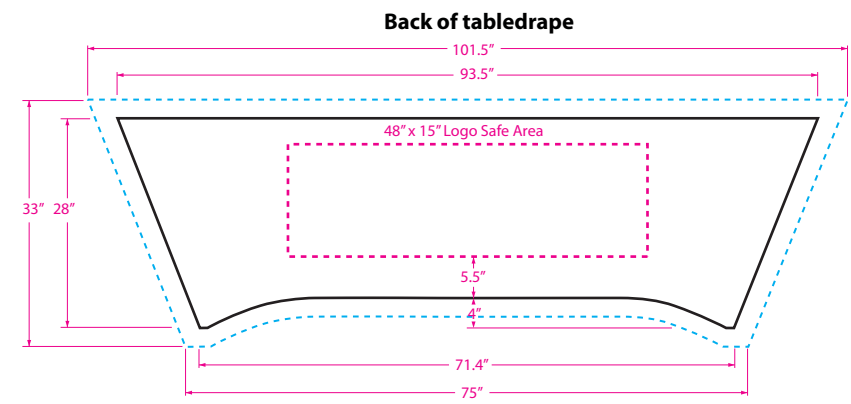
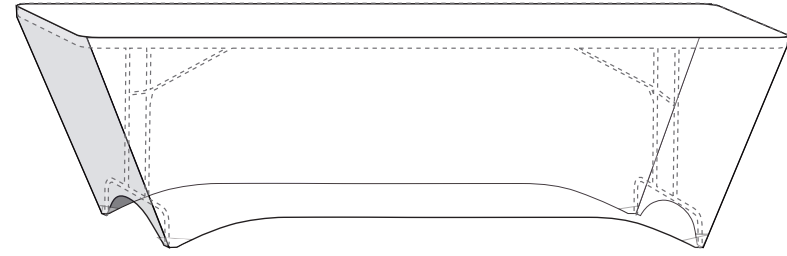
Client: **XXXXXX**  
Scale:  
Quantity **X**

Pre-flighter **XXXXXX**  
PSM **XXXXXX**  
Ship Date **X.XX.09**

**Top View:**  
UltraPrint

**Isometric View:**  
Setup View

- KEY**
- - - Pink dashed line indicates live area (keep art work inside these lines unless it's a full billed)
  - Black line indicates finished size
  - - - Blue line indicates bleed



## Instructions for using the PreDesigned Graphic Layout Template

1. Open the template in Adobe Illustrator
2. Open the layers dialog box
3. Be sure to only toggle the layer you will be using.
4. Place the art into the template. When possible, keep the art within the dashed lines. Place, size and space the art as you would like to see it when printed. For full coverage graphic, add 2" of bleed. See Art Submission Guidelines for details on art requirements.
5. Add PMS color information to the color blocks at the bottom of the layout.
6. Add any needed notes to the Special Notes section on the left side of the layout.
7. Save the file in PDF format with the following settings-  
Layers included (Photoshop files)  
Smooth Gradients  
Avoid Global Effects, Transparencies & Symbols
8. Email completed layout back to your Project Service Manager.

## Special Notes

## Symbols Legend

- Critical/Live Area - - -
- Cut Line —
- Seam Placement - - -

**Color:**

Match to:

- PMS color specified in file
- Hardcopy
- Previous job
- approved proof
- Moss best judgement

PMS PMS PMS PMS PMS PMS PMS

↑  
WARP  
↓