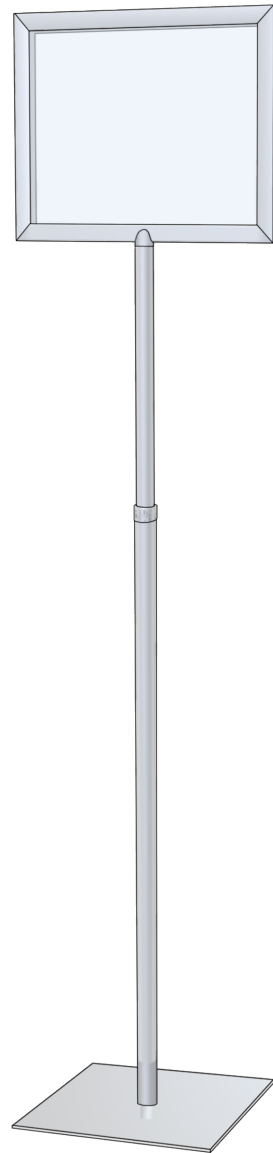
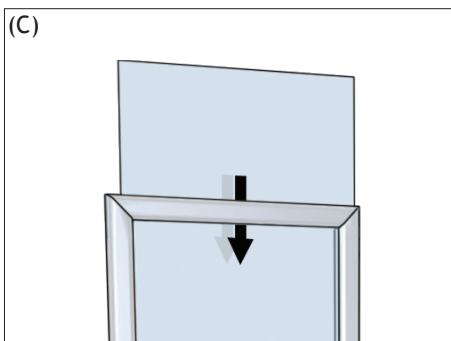
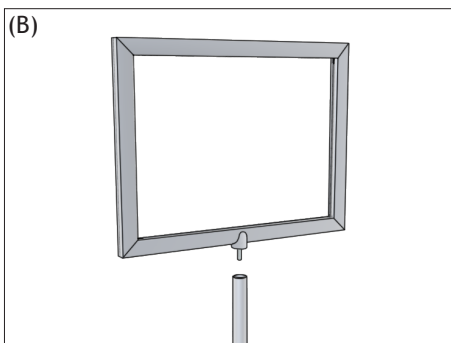
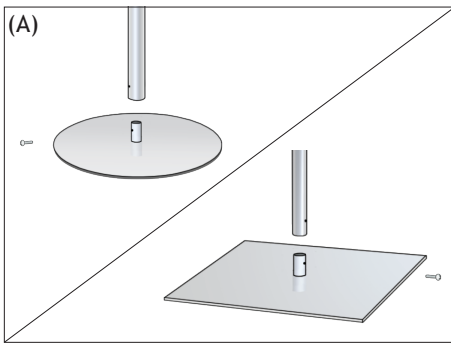


Pedestal Aluminum Signframe

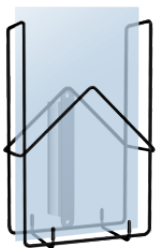
1. Attach pole to base using screw provided (fig. A).
2. Screw frame onto pole with flathead screw (fig. B).
3. Insert graphic into frame (fig. C).

Applicable Products:

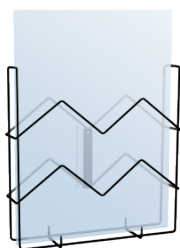
SF3 SF5
SF4 SF6



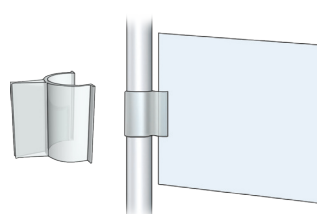
ACCESSORIES



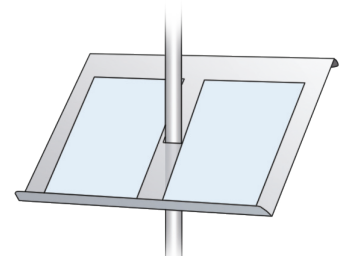
PB-1



PB-2



HT-1
Mounting Clip



ADL
Literature Tray